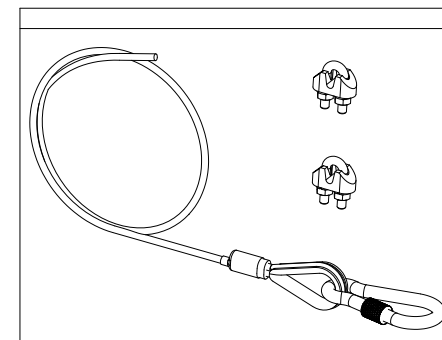
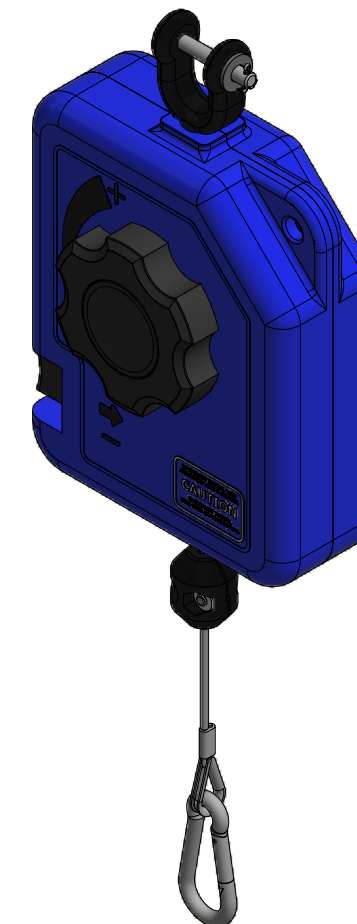
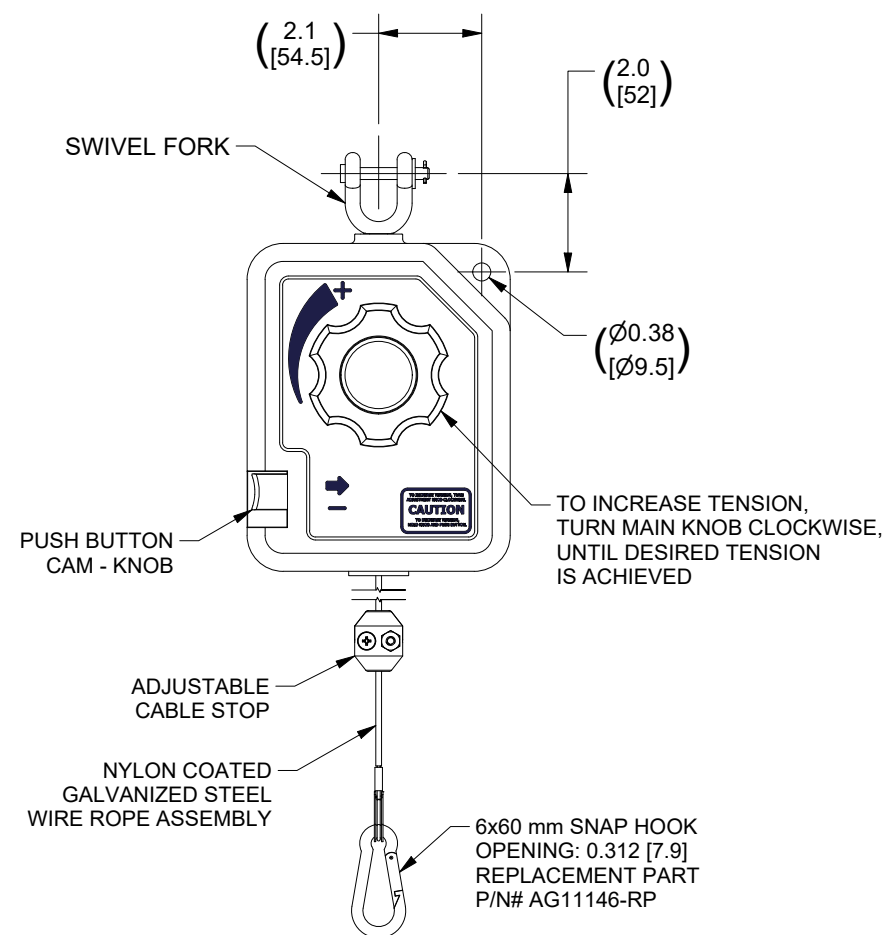
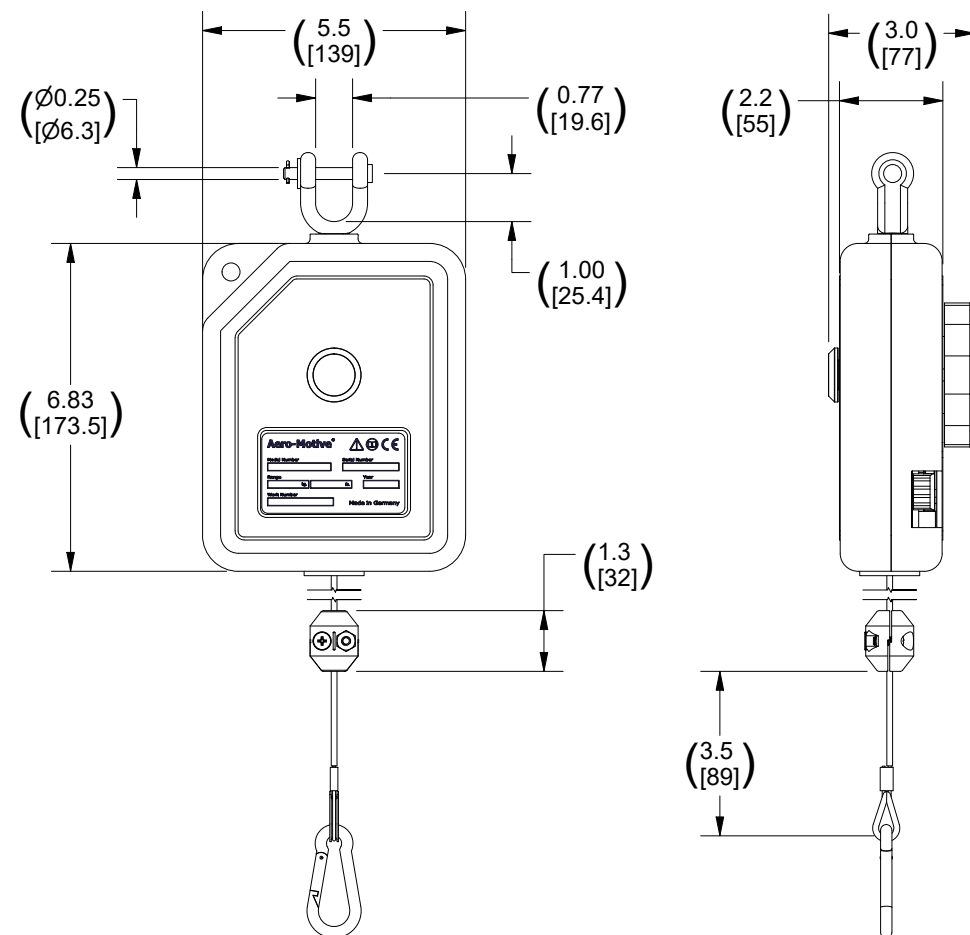


RETRACTOR MODEL	WEIGHT RANGE		CABLE TRAVEL		DESCRIPTION
	LB	KG	FT	M	
RF6	4.0 - 6.0	1.8 - 2.7	6.6	2.0	RF6 RETRACTOR
RF8	6.0 - 8.0	2.7 - 3.6			RF8 RETRACTOR
RFL6	4.0 - 6.0	1.8 - 2.7			RF6 RETRACTOR WITH RATCHET LOCK MECHANISM
RFL8	6.0 - 8.0	2.7 - 3.6			RF6 RETRACTOR WITH RATCHET LOCK MECHANISM
RF6SC	4.0 - 6.0	1.8 - 2.7			RF6 RETRACTOR WITH SECONDARY SUPPORT (SAFETY CABLE)
RF8SC	6.0 - 8.0	2.7 - 3.6			RF8 RETRACTOR WITH SECONDARY SUPPORT (SAFETY CABLE)
RFL6SC	4.0 - 6.0	1.8 - 2.7			RFL6 RETRACTOR WITH SECONDARY SUPPORT (SAFETY CABLE)
RFL8SC	6.0 - 8.0	2.7 - 3.6			RFL8 RETRACTOR WITH SECONDARY SUPPORT (SAFETY CABLE)



SECONDARY SUPPORT KIT
SEE NOTE 6 & SHEET 2 OF 2

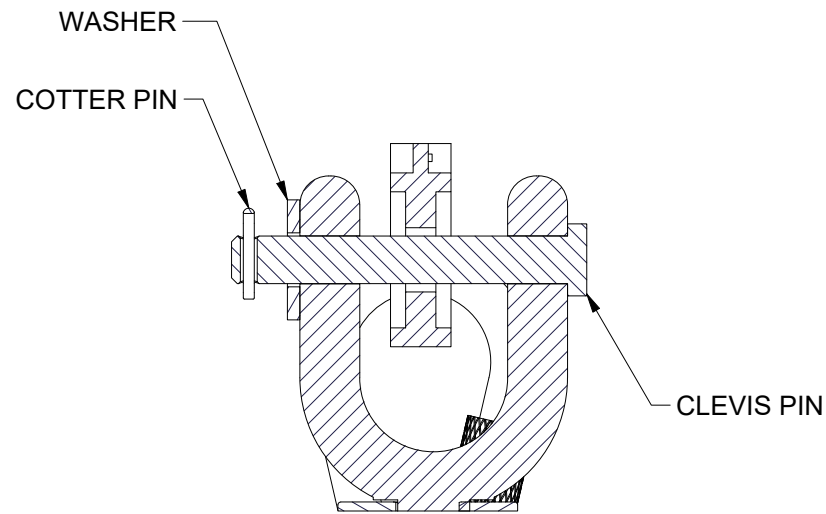


NOTES:

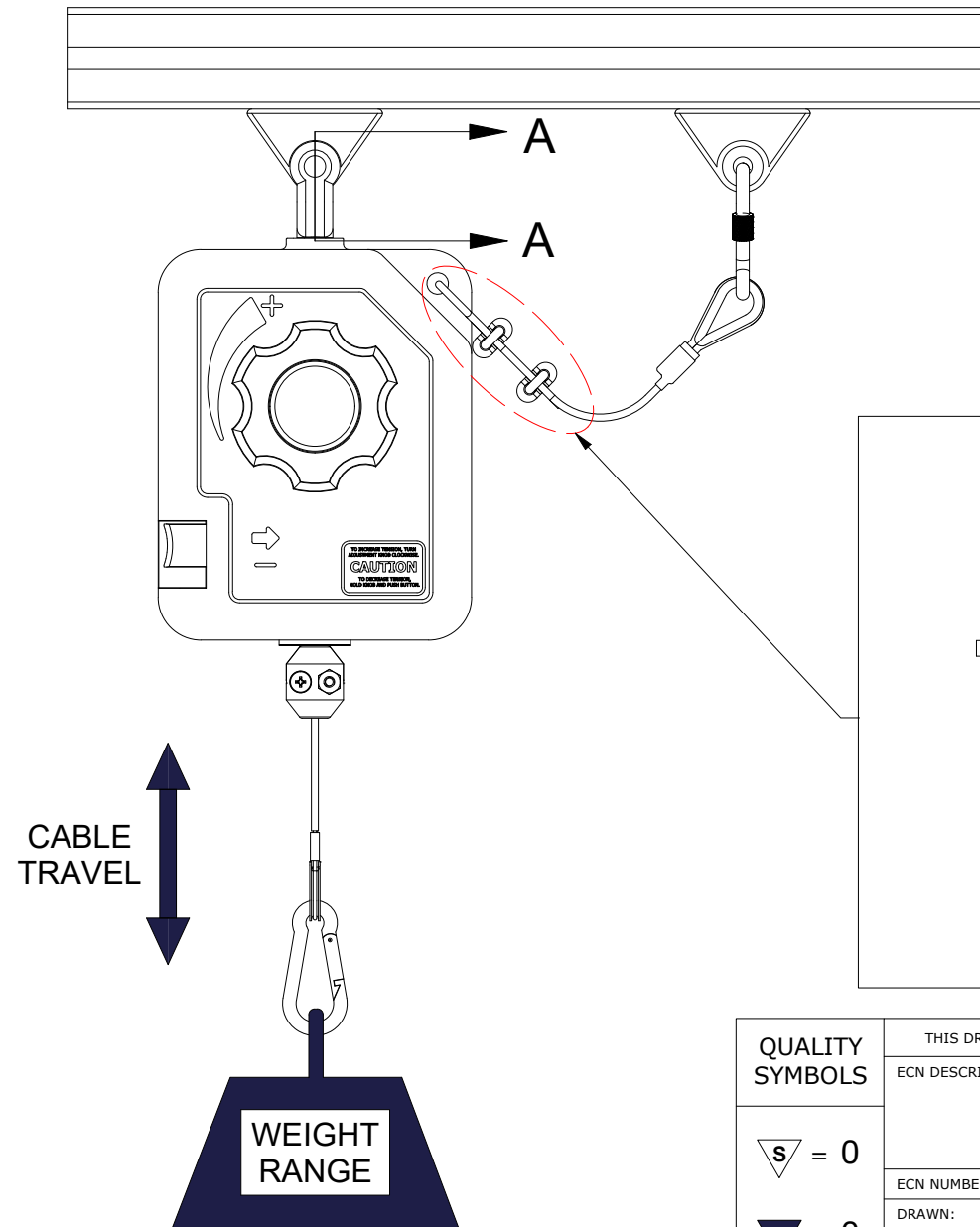
- RETRACTORS ARE 100% INSPECTED & PRE-TENSIONED AT FACTORY.
- HOUSINGS ARE MADE OF GENERAL PURPOSE ABS TO MEET HARSH INDUSTRIAL ENVIRONMENTS.
- ALWAYS READ INSTRUCTIONS MANUAL BEFORE USING RETRACTORS.
- RETRACTORS ARE NOT TO BE USED AS BALANCERS, THEIR MAIN PURPOSE BEING TO RETRACT A LOAD AND NOT TO BALANCE ONE.
- OVERALL DIMENSIONS ARE FOR REFERENCE ONLY.
- STANDARD CATALOG RETRACTORS ARE NOT EQUIPPED WITH SAFETY CABLE KIT. IF APPLICATION REQUIRES A SAFETY CABLE KIT ADD "SC" SUFFIX TO STANDARD RETRACTOR MODEL (EXAMPLE; RF6SC). SEE SHEET 2 OF 2 FOR SECONDARY SUPPORT MOUNTING.
- RETRACTOR COMES WITH A CLEVIS PIN, WASHER & COTTER PIN IN SEPARATE BAG.
- RETRACTOR OUTER COLOR: BLUE.
- RF SERIES OF RETRACTORS ARE NOT SERVICEABLE.
- DO NOT DISASSEMBLE RETRACTOR.
- PREVIOUS DOCUMENT NUMBER # SD-130172-002.

QUALITY SYMBOLS ▽ = 0 ▽ = 0 ▽ = 0	THIS DRAWING CONTAINS INFORMATION THAT IS PROPRIETARY TO Aero-Motive GmbH AND SHOULD NOT BE USED WITHOUT WRITTEN PERMISSION				Aero-Motive® DESCRIPTION RF SERIES OF RETRACTORS SALES DRAWING	
	ECN DESCRIPTION: REPLACE SAFETY CHAIN OPTION WITH SAFETY CABLE, ADD SHEET 2 OF 2		DIMENSION UNITS INCH / mm	SCALE NTS		
	ECN NUMBER: AM2022-0030		GENERAL TOLERANCES (UNLESS SPECIFIED) Applicable Standards ASME Y14.5M ISO 1660		CUSTOMER GENERAL MARKET SHEET NUMBER 1 of 2	
	DRAWN: MCHOJECKI	2022-04-22	4 PLACE	± --- ± ---		
CHECKED: MCHOJECKI	2022-04-22	3 PLACE	± --- ± ---			
APPROVED: RHOTCA	2022-04-22	2 PLACE	± --- ± ---			
INITIAL REVISION:		1 PLACE	± --- ± ---			
DRAWN: RHOTCA	2010-03-30	0 PLACE	± --- ± ---			
APPROVED: JPAWLICKI	2010-03-31	ANGULAR TOL. ± 0.5°				
OLD MAT. NUMBER	DRAFT WHERE APPLICABLE MUST REMAIN WITHIN DIMENSIONS	SIZE	THIRD ANGLE PROJECTION			
N/A		B-SIZE				

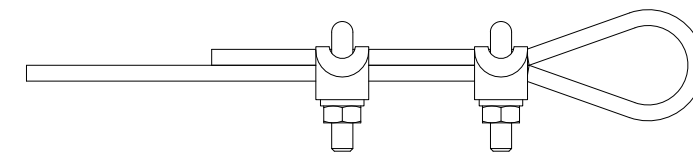
SECONDARY SUPPORT CABLE IN APPLICATION* (REFERENCE ONLY)



SECTION A-A
SEE NOTE 7

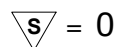

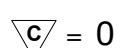
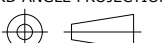


VIEW OF WIRE ROPE CLIPS
PROPERLY SADDLED



ALWAYS REFER TO ASSEMBLY INSTRUCTION
FOR MOUNTING SECONDARY SUPPORT.
INSTRUCTION IS INCLUDED WITH THE PRODUCT.
CONTACT TECH-SUPPORT FOR MORE
INFORMATION; techsupport@aero-motive.com

*- SECONDARY SUPPORT CABLE SHOULD BE AS SHORT AS POSSIBLE,
ALLOWING BALANCER TO DROP NO MORE THAN 6 TO 12 INCHES
[150-300 mm] IF THE PRIMARY CONNECTION IS RELEASED.

QUALITY SYMBOLS  = 0  = 0  = 0	THIS DRAWING CONTAINS INFORMATION THAT IS PROPRIETARY TO Aero-Motive GmbH AND SHOULD NOT BE USED WITHOUT WRITTEN PERMISSION				ECN DESCRIPTION: REPLACE SAFETY CHAIN OPTION WITH SAFETY CABLE, ADD SHEET 2 OF 2 -----		DIMENSION UNITS INCH / mm	SCALE NTS	Aero-Motive® DESCRIPTION RF SERIES OF RETRACTORS SALES DRAWING	
	ECN NUMBER: AM2022-0030		GENERAL TOLERANCES (UNLESS SPECIFIED) <small>Applicable Standards ASME Y14.5M ISO 1660</small>		mm	INCH				
	DRAWN: MCHOJECKI	2022-04-22	4 PLACE	±	---	±	---			
	CHECKED: MCHOJECKI	2022-04-22	3 PLACE	±	---	±	---			
APPROVED: RHOTCA	2022-04-22	2 PLACE	±	---	±	---				
INITIAL REVISION:		1 PLACE	±	---	±	---				
DRAWN: RHOTCA	2010-03-30	0 PLACE	±	---	±	---				
APPROVED: JPAWLICKI	2010-03-31	ANGULAR TOL. ± 0.5°								
OLD MAT. NUMBER	DRAFT WHERE APPLICABLE MUST REMAIN WITHIN DIMENSIONS	SIZE	THIRD ANGLE PROJECTION		CUSTOMER	SHEET NUMBER				
N/A		B-SIZE			GENERAL MARKET	2 of 2				