

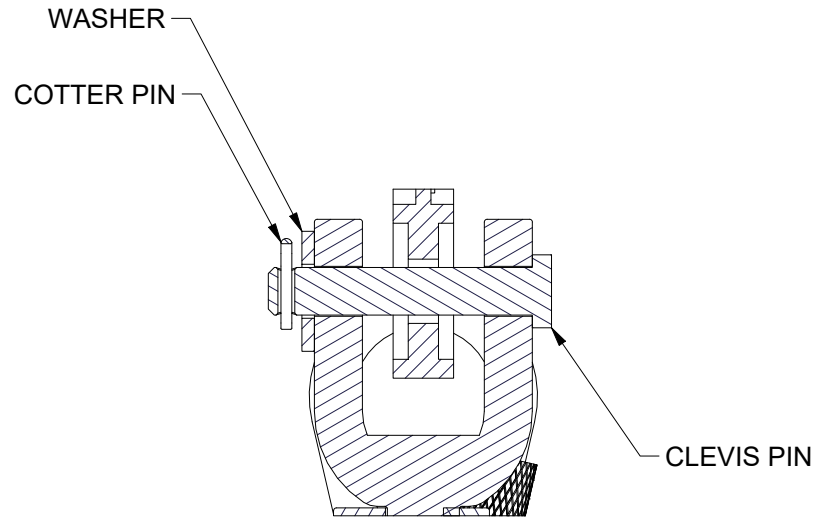
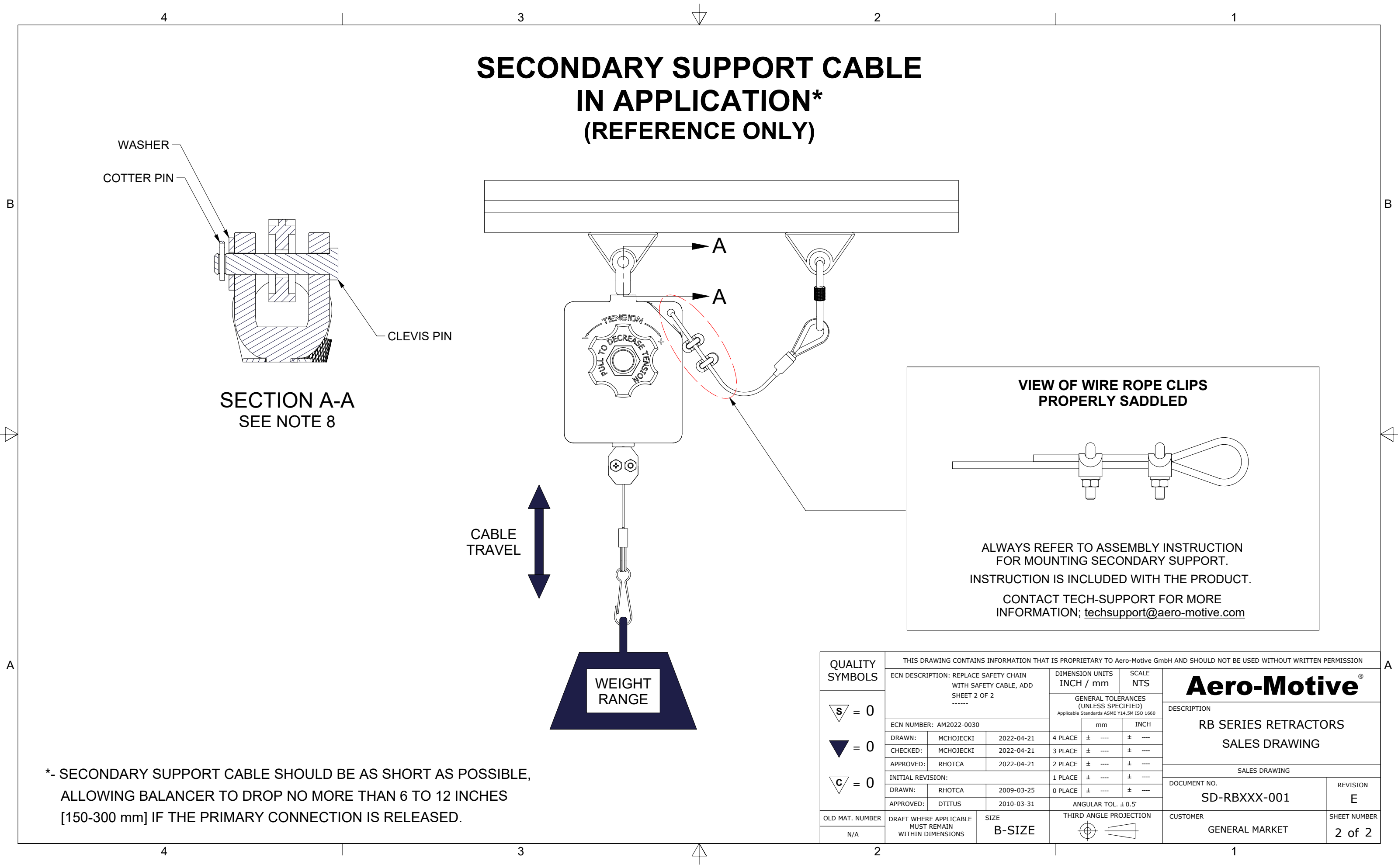
RETRACTOR MODEL	WEIGHT RANGE		CABLE TRAVEL	
	LB	KG	FT	M
RB2	1.0-2.0	0.5-0.9	5.2	1.6
RB4	2.0-4.0	0.9-1.8	5.2	1.6
RB2SC	1.0-2.0	0.5-0.9	5.2	1.6
RB4SC	2.0-4.0	0.9-1.8	5.2	1.6
RB210	1.0-2.0	0.5-0.9	10.0	3.0
RB2-NC	1.0-2.0	0.5-0.9	5.2	1.6
RB4-NC	2.0-4.0	0.9-1.8	5.2	1.6

**NOTES:**

- RETRACTORS ARE 100% INSPECTED & PRE-TENSIONED AT FACTORY.
- HOUSINGS ARE MADE OF GENERAL PURPOSE ABS TO MEET HARSH INDUSTRIAL ENVIRONMENTS.
- ALWAYS READ INSTRUCTIONS MANUAL BEFORE USING RETRACTORS.
- RETRACTORS ARE NOT TO BE USED AS BALANCERS, THEIR MAIN PURPOSE BEING TO RETRACT A LOAD AND NOT TO BALANCE ONE.
- OVERALL DIMENSIONS ARE FOR REFERENCE ONLY.
- STANDARD CATALOG RETRACTORS ARE NOT EQUIPPED WITH SAFETY CABLE KIT. IF APPLICATION REQUIRES A SAFETY CABLE KIT ADD "SC" SUFFIX TO STANDARD RETRACTOR MODEL (EXAMPLE; RB2SC). SEE SHEET 2 OF 2 FOR SECONDARY SUPPORT MOUNTING.
- MODEL WITH "-NC" (RB2-NC) STANDS FOR RETRACTOR WITH NYLON COATED STEEL CABLE.
- RETRACTOR COMES WITH A CLEVIS PIN, WASHER & COTTER PIN IN SEPARATE BAG.
- RETRACTOR OUTER COLOR: BLUE.
- RB SERIES OF RETRACTORS ARE NOT SERVICEABLE.
- DO NOT DISASSEMBLE RETRACTOR.
- PREVIOUS DOCUMENT NUMBER # SD-130173-001.

THIS DRAWING CONTAINS INFORMATION THAT IS PROPRIETARY TO Aero-Motive GmbH AND SHOULD NOT BE USED WITHOUT WRITTEN PERMISSION										
QUALITY SYMBOLS	ECN DESCRIPTION: REPLACE SAFETY CHAIN WITH SAFETY CABLE, ADD SHEET 2 OF 2			DIMENSION UNITS INCH / mm	SCALE NTS	<b>Aero-Motive®</b> DESCRIPTION <b>RB SERIES RETRACTORS</b> <b>SALES DRAWING</b>				
	ECN NUMBER: AM2022-0030			mm	INCH					
$\nabla$ = 0	DRAWN:	MCHOJECKI	2022-04-21	4 PLACE	±	----	±	----	SALES DRAWING	
$\blacktriangledown$ = 0	CHECKED:	MCHOJECKI	2022-04-21	3 PLACE	±	----	±	----		
$\nabla$ C = 0	APPROVED:	RHOTCA	2022-04-21	2 PLACE	±	----	±	----		
INITIAL REVISION:				1 PLACE	±	----	±	----	DOCUMENT NO.	
DRAWN:				RHOTCA	2009-03-25	0 PLACE	±	----	±	REVISION
APPROVED:				DTITUS	2010-03-31	ANGULAR TOL. ± 0.5°			SD-RBXXX-001	E
OLD MAT. NUMBER	DRAFT WHERE APPLICABLE MUST REMAIN WITHIN DIMENSIONS			SIZE	THIRD ANGLE PROJECTION			CUSTOMER	SHEET NUMBER	
N/A				B-SIZE				GENERAL MARKET	1 of 2	

# SECONDARY SUPPORT CABLE IN APPLICATION\* (REFERENCE ONLY)



**VIEW OF WIRE ROPE CLIPS  
PROPERLY SADDLED**

CABLE  
TRAVEL

WEIGHT  
RANGE

\*- SECONDARY SUPPORT CABLE SHOULD BE AS SHORT AS POSSIBLE,  
ALLOWING BALANCER TO DROP NO MORE THAN 6 TO 12 INCHES  
[150-300 mm] IF THE PRIMARY CONNECTION IS RELEASED.

<b>QUALITY SYMBOLS</b>  = 0  = 0  = 0	THIS DRAWING CONTAINS INFORMATION THAT IS PROPRIETARY TO Aero-Motive GmbH AND SHOULD NOT BE USED WITHOUT WRITTEN PERMISSION				DIMENSION UNITS <b>INCH / mm</b>	SCALE <b>NTS</b>	<b>Aero-Motive®</b>	
	ECN DESCRIPTION: REPLACE SAFETY CHAIN WITH SAFETY CABLE, ADD SHEET 2 OF 2 -----			GENERAL TOLERANCES (UNLESS SPECIFIED) <small>Applicable Standards ASME Y14.5M ISO 1660</small>			DESCRIPTION <b>RB SERIES RETRACTORS</b> <b>SALES DRAWING</b>	
	ECN NUMBER: AM2022-0030			4 PLACE	± ----	± ----	SALES DRAWING	
	DRAWN:	MCHOJECKI	2022-04-21	3 PLACE	± ----	± ----	DOCUMENT NO. <b>SD-RBXXX-001</b>	
CHECKED:	MCHOJECKI	2022-04-21	2 PLACE	± ----	± ----	REVISION <b>E</b>		
APPROVED:	RHOTCA	2022-04-21	1 PLACE	± ----	± ----	CUSTOMER <b>GENERAL MARKET</b>		
INITIAL REVISION:			0 PLACE	± ----	± ----	SHEET NUMBER <b>2 of 2</b>		
DRAWN:	RHOTCA	2009-03-25	ANGULAR TOL. ± 0.5°					
APPROVED:	DTITUS	2010-03-31	DRAFT WHERE APPLICABLE MUST REMAIN WITHIN DIMENSIONS					
OLD MAT. NUMBER	N/A		SIZE	<b>B-SIZE</b>				
THIRD ANGLE PROJECTION			THIRD ANGLE PROJECTION					